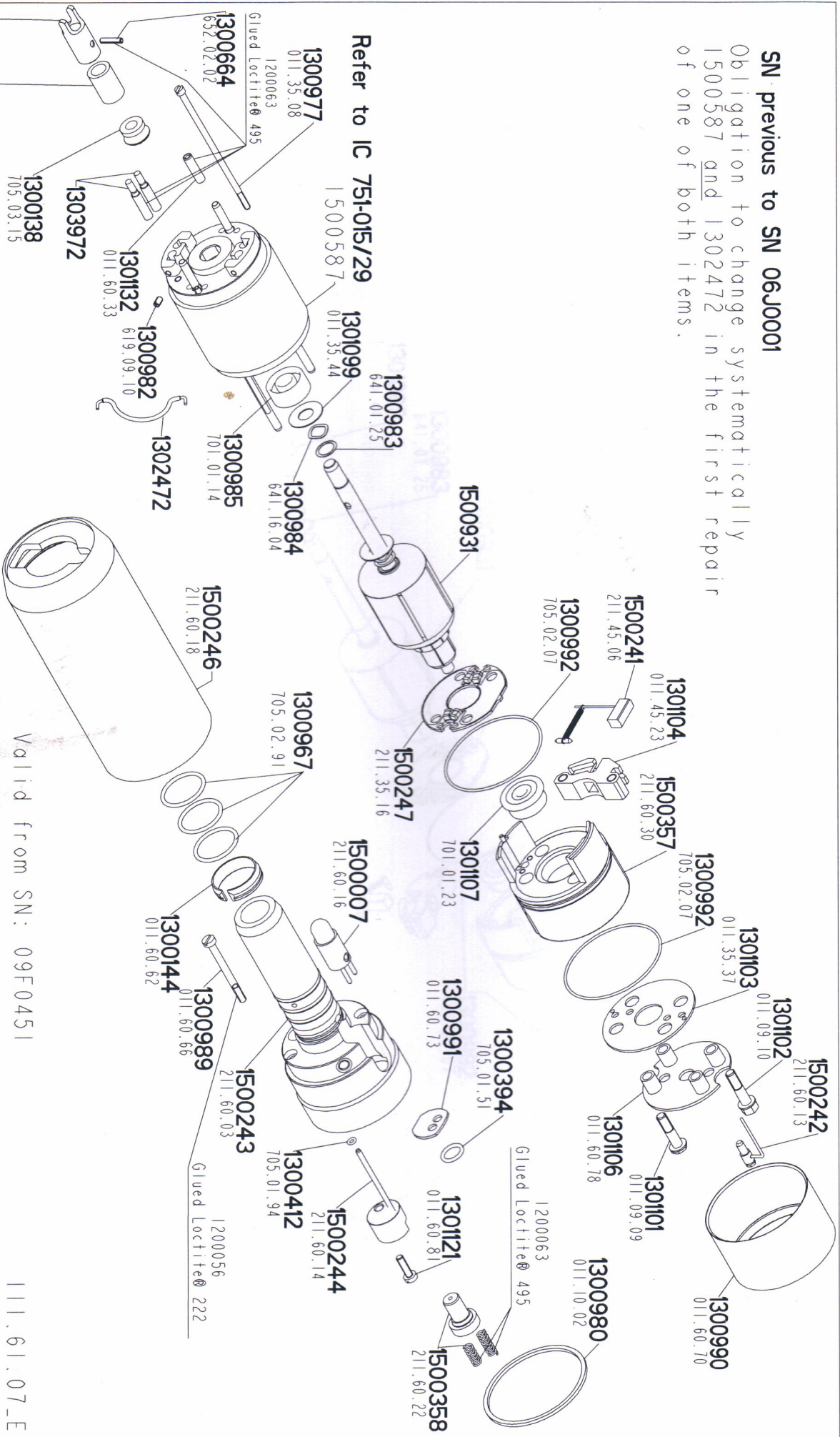


SN previous to SN 06J0001

Obligation to change systematically 1500587 and 1302472 in the first repair of one of both items.



Valid from SN: 09F0451

111.61.07_E

 SWITZERLAND		Dessiné	10-09-04	MMG	Dénomination	MC MC2	Solite® 300
		Révisé	15-04-09	NM	N° de dessin	1600078-181-0006	
		Contrôlé	15-04-09	NM			
		FF 1/1	Ech. 1/1				