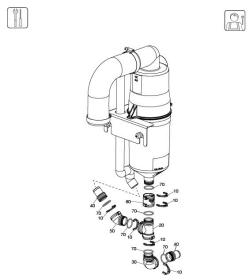
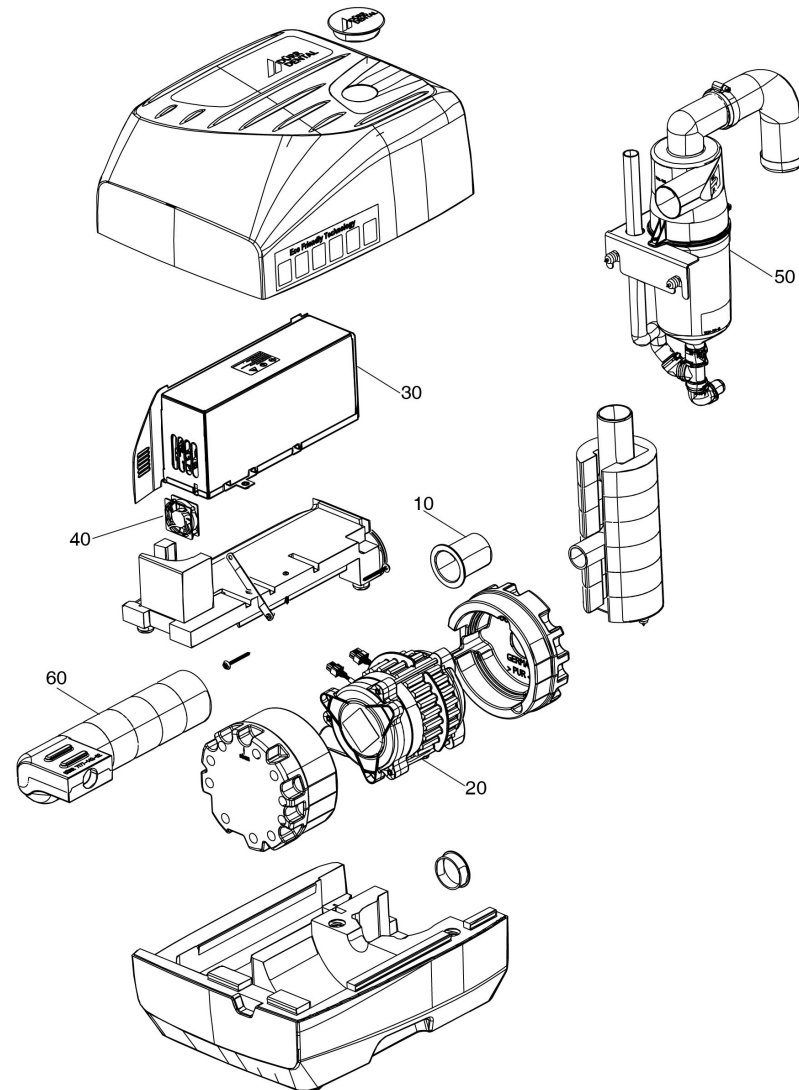


# Tyscor V 2 Central Suction Machine with Radial-Technology



Condensate separator Tyscor V2

# Tyscor V 2 Central Suction Machine with Radial-Technology



## Tyscor V 2 Central Suction Machine with Radial-Technology

Item no.	Article no.	Description
20	7177-100-50E	Aspirated
50	7177-701-00	Condensate separator Tyscor V2
30	7186982052T	electronics
10	7177-100-18E	Hose connector DN 50
60	7177100020	muffler kit
40	9000-146-39E	Ventilator 50 x 50 x 15 24 V DC