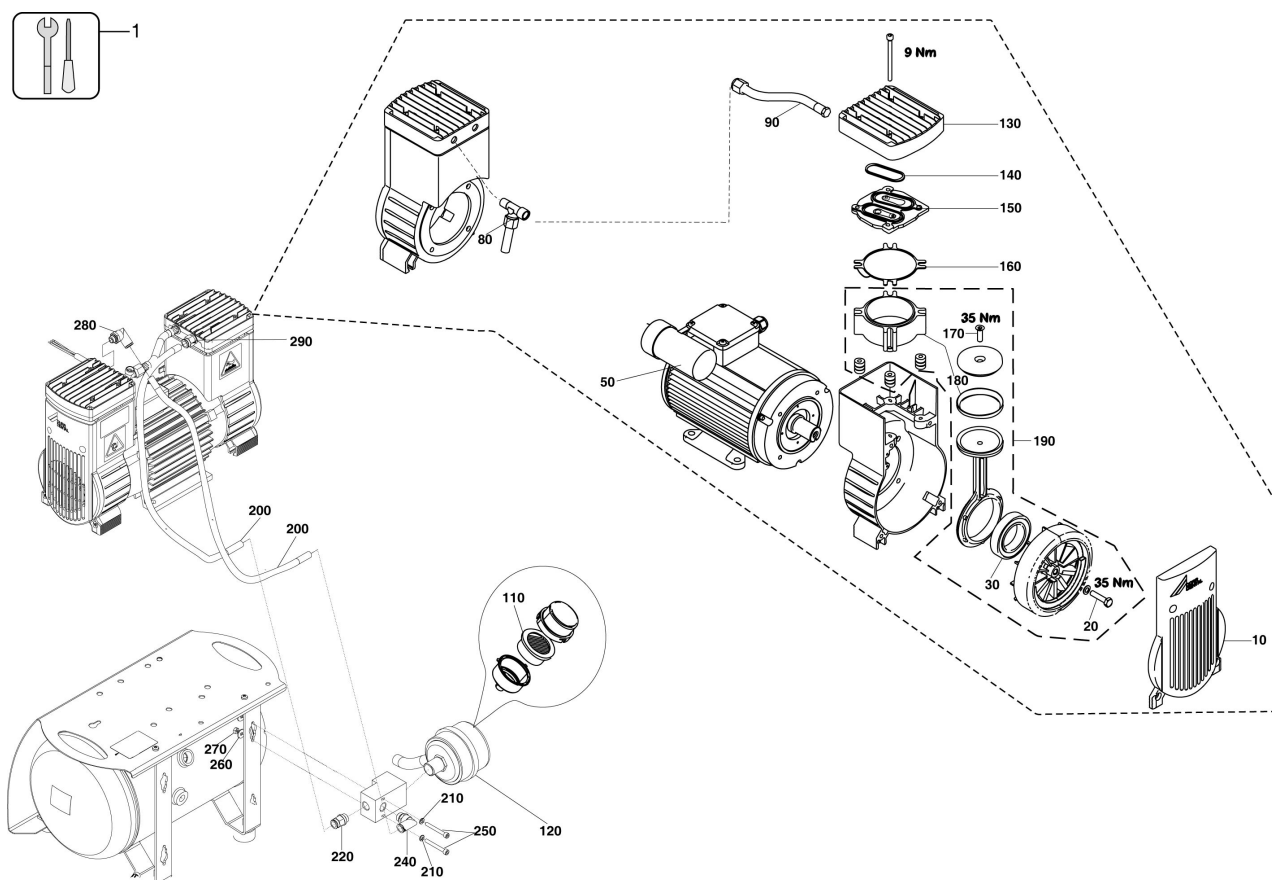
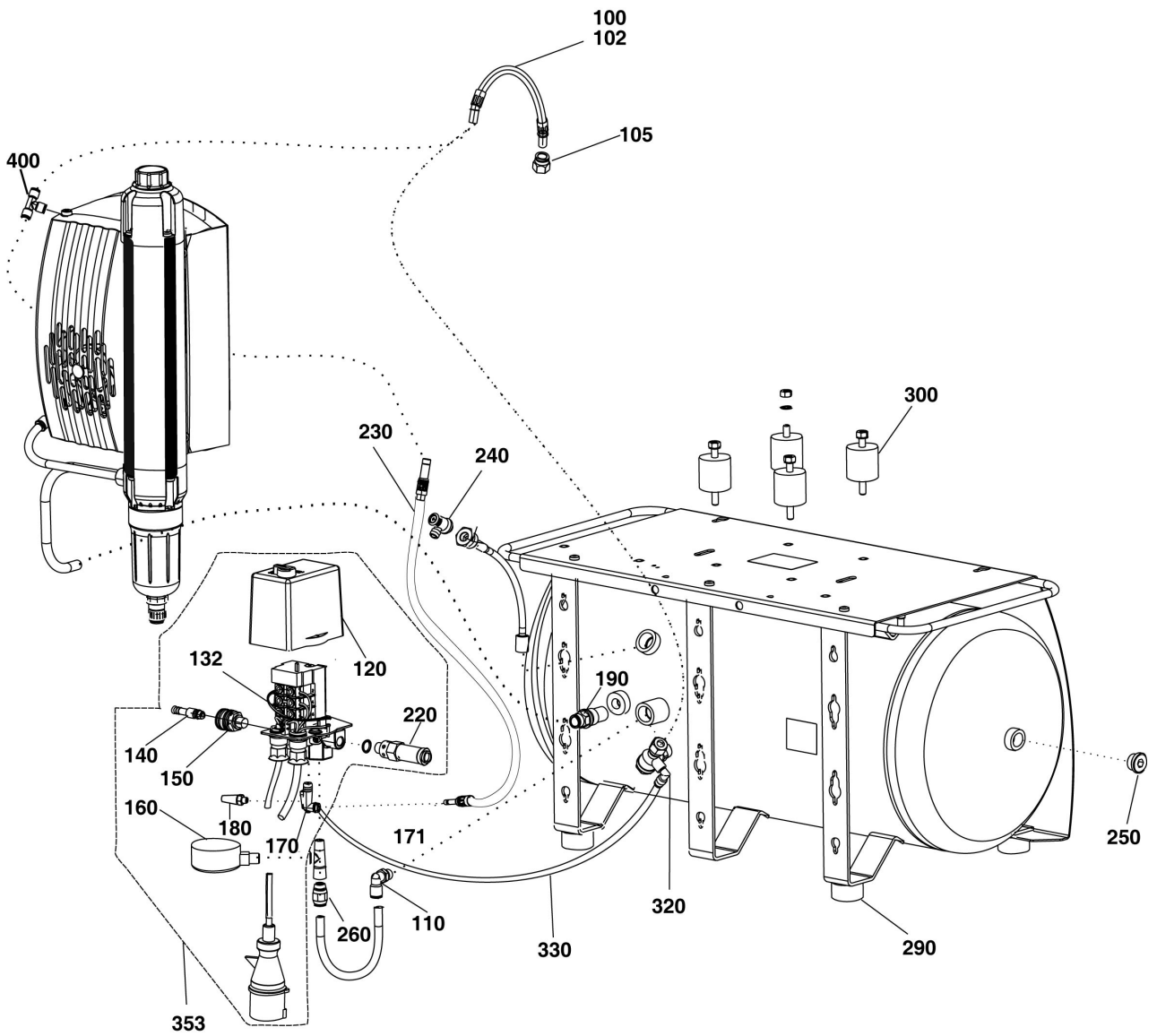


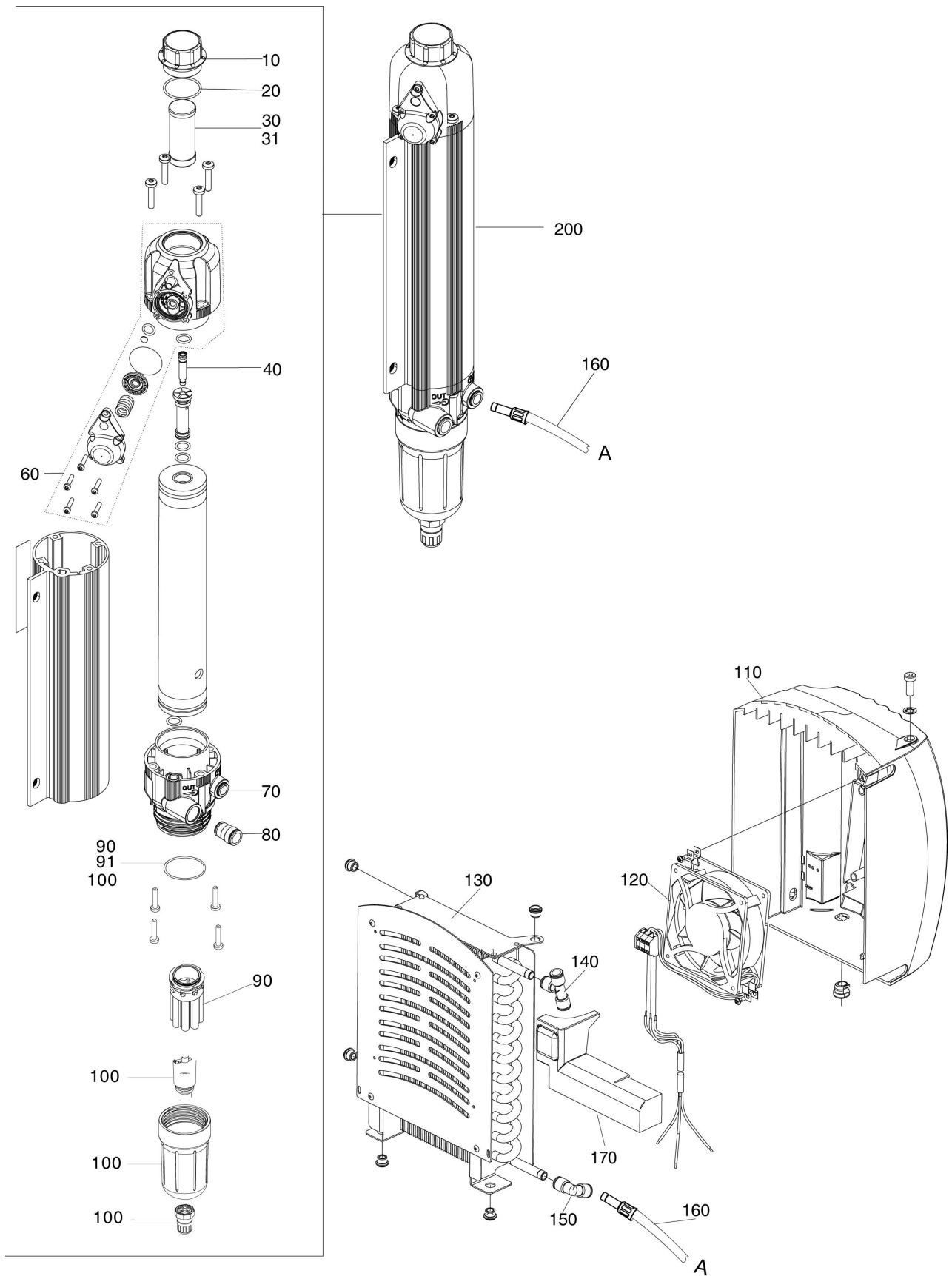
Item no.	Description	Order-No.
1	Tornado 70/130 special crankshaft tool	5430-984-10
10	End cover	0880-119-02
20	Hexagon screw, M8 x 35 DIN 6900	0004-350-03
30	Grooved bearing 45x75x16 DIN 625	9000-406-37
50	Capacitor for 51/52 series	9000-104-81
80	T-threaded joint	9000-310-08
90	Pressure Hose	5530-001-00
110	Insert for Air Intake Filter	5430-982-00
120	Air Filter Complete	0880-001-00
130	Cylinderhead	0880-290-01
140	Seal kit	0880-121-01
150	Valve Plate	0880-280-01
160	Seal	0880-114-02
170	Counterhead Screw M8 x 35	0004-508-05
180	Tornado 70/130 piston sleeve repair kit	5430-981-00
190	Tornado piston set	5430-984-00
500	Aggregate, 2 cyl., 230 V 1~ 50 Hz	5530-100+52
501	Aggregate, 2 cyl., 230 V, 1~ 60 Hz for No.	5530-100+51



Item no.	Description	Order-No.
1	Tornado 70/130 special crankshaft tool	5430-984-10
10	End cover	0880-119-02
20	Hexagon screw, M8 x 35 DIN 6900	0004-350-03
30	Grooved bearing 45x75x16 DIN 625	9000-406-37
50	Capacitor	9000-104-52
80	T-threaded joint	9000-310-08
90	Pressure Hose	5530-001-00
110	Insert for intake filter	5180-982-00
120	Suction filter	9000-416-46
130	Cylinderhead	0880-290-01
140	Seal kit	0880-121-01
150	Valve Plate	0880-280-01
160	Seal	0880-114-02
170	Counterhead Screw M8 x 35	0004-508-05
180	Tornado 70/130 piston sleeve repair kit	5430-981-00
190	Tornado piston set	5430-984-00
200	hose 8x2x12	9000-317-47
210	Washer B 6,4 DIN 125	0001-500-09
220	connection 12-G3/8"	9000-310-089
240	L-junction	9000-310-091
250	Hexagon socket screw M6 x 50 DIN 912	0003-040-32
260	Washer B 6,4	0004-800-08
270	Hex nut M6	0003-230-16
280	L-junction	9000-310-090
290	connection 12-G1/4"	9000-310-088



Item no.	Description	Order-No.
100	Hose	5351-002-00
102	Pressure hose 690mm D=10 DN20	5170-002-00E
105	Sleeve nut	9000-310-025
110	L Joint	9000-310-020
120	Hood for MDR3	9000-510-96
132	Motor Protection Switch 6.3 10A	9000-140-99
140	Hose coupling 10 mm	9000-312-06
150	Female coupling Tornado 130	9000-312-03
160	Pressure Gauge 0-16 Bar	9000-305-08
170	Relief Valve	9000-301-66
171	Vent Valve	9000-301-50
180	Nozzle	5152-011-02
190	Non return valve	5150-041-00
220	Safety Valve R 1/4 0-10 Bar	9000-326-11
230	Pressure hose 460 mm	5272-001-00
240	Cut Off Valve R1/4"	9000-324-24
240	Cut Off Valve R1/4"	5150-008-50
250	Closing stopper	9000-310-063
260	Threaded joint	9000-310-015
290	Rubber mounting D = 40 x 20	9000-410-62
300	Vibration damper	0947-003-00
320	Non return valve	5150-040-02
330	hose 6/4	9000-317-34
353	Pressure Switch	5252-011-00E
400	T-Plug connector	9000-310-085





Item no.	Description	Order-No.
10	Cover screw	1610-100-02
20	O-Ring 38 x 2.5	9000-401-21
30	Fine Filter for Dry Air System	1610-121-00
31	Sterile Filter for Dry Air System	1640-981-00
40	Jet set	1650-981-00
60	Upperpart membranecover	1650-983-00
70	Quick coupling M10	9000-310-083
80	Quick coupling M12	9000-310-084
90	Sinter Filter for Membrane Drying Unit	1650-101-00
91	O-ring	9000-401-62
100	Condensate drain	1650-982-00
110	fan cover	1650-300-05
120	Fan	9000-146-29
130	Cooler	1650-300-50E
140	T-Plug connector	9000-310-085
150	L-junction	9000-310-034
160	hose 6 x 2 x 10	9000-317-25
170	Cover	1650-300-06
200	Membran Dryer	1650-980-00