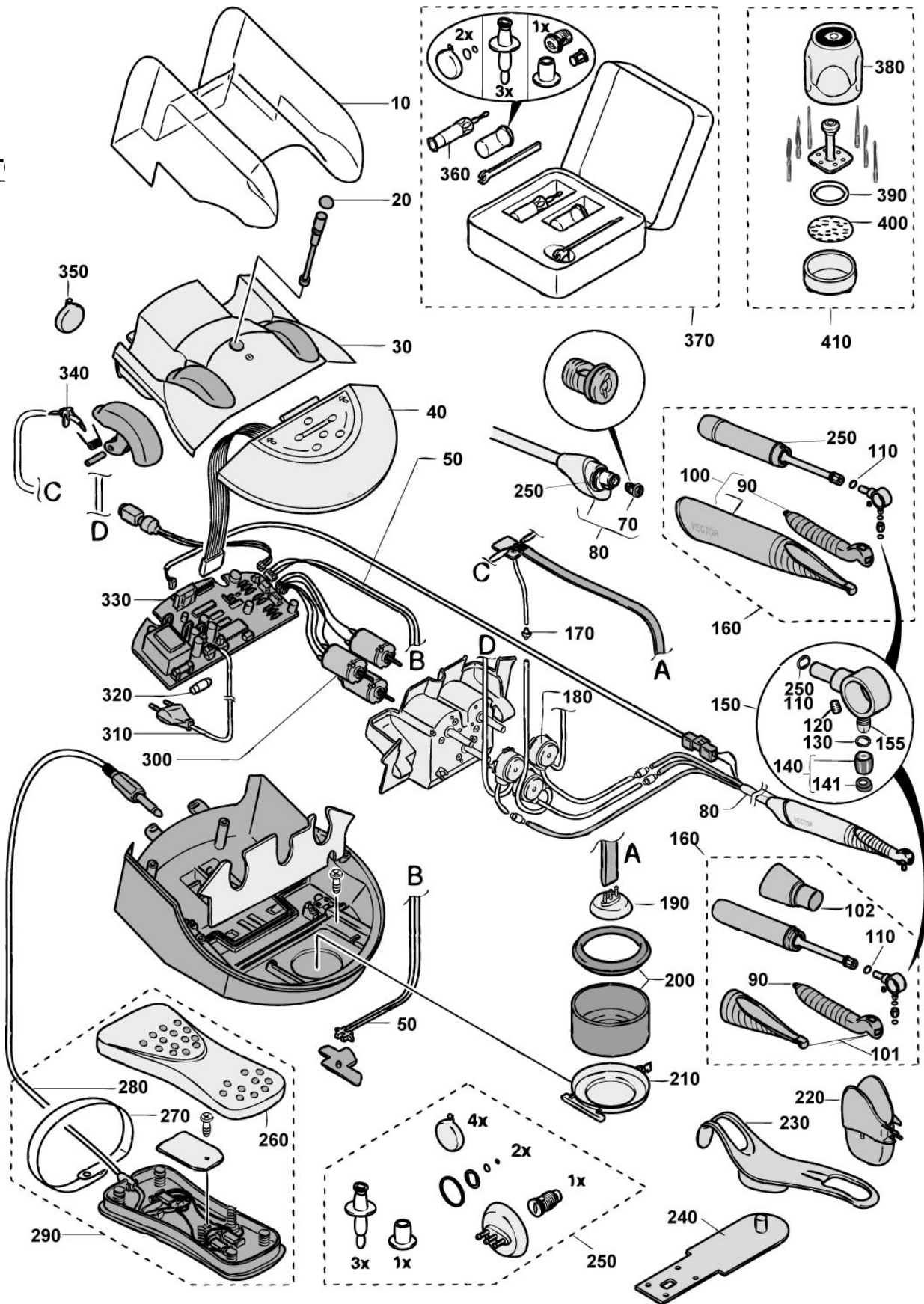


VECT

AL



VECTOR Pro System package, 230V/50-60 cy

Номер	Номер товара	Описание
10	2030-110-28E	Cover
20	2030-110-33	Retainer
30	2030-121-00E	Upper casing
40	2030-119-00E	Flap, complete
50	9100-303-02	Film flap sensor
70	2030-112-50E	Screw compl.
80	2030-118-00E	Hose complete with threaded connection
90	2030-130-28	ring covering , anthracite
100	2030-130-19E	Vector handpiece outer casing
101	2030-130-014E	Bosster adapter
102	2030-981-50	Adapter
110	9000-402-79E	O - Ring
110	9000-402-57	O-Ring 1 x 0,6 VITON
120	2030-134-00E	Jet, 10 pieces
130	9000-402-59E	O-ring for Vector (5 pack)
140	2030-133-50E	Nut M3 with reservoir seal
141	2030-130-20E	Reservoir seal on mounting bolt (3x)
150	2030-130-017E	ring compl. w change bushing
155	2030-130-011E	Changing plug socket
160	2030-130+51	Paro Handpiece
170	9000-310-014	Hose connector
180	9000-341-13	Hose pump
190	2030-110-17E	Filter
200	2030-113-00E	Water container
210	2030-122-00E	Base unit
220	2030-143-00E	Beaker, complete
230	2030-142-00E	Handpiece repository
240	2030-141-00E	Base plate
250	2030-120-00E	Sealing-set
260	2030-160-05E	Footswitch cover
270	2030-160-09E	Footswitch tie
280	2030-161-00E	Footswitch cable
290	2030-160-50	Vector foot control
300	2030-116-00	Partition wall w motors
310	9000-118-91	Power cable
320	9000-115-78	Fuse 0,16 AH IEC 60127-2/V
330	2030-111+50	PC Board for Vector 230 V

VECTOR Pro System package, 230V/50-60 cy

Номер	Номер товара	Описание
340	2030-123-00E	Needle slide, 2 pieces
350	2030-110-13E	Covering cap
360	2030-135-00E	Installation key for Jet
370	2030-137-00E	Service-Kit
380	2030-150-06E	Cover toolkit, complete
390	9000-402-56	O-Ring 20x2 VITON
400	2030-150-10	Sterilizeable fleece filter 250 pcs
410	2031-450-00	Tool Kit Paro
411	2030-150-51	Tool-Kit Recall (black)
412	2030-150-52	Toolkit Supra (yellow) Box w 4 instruments
413	2030-150-53	Tool-Kit Präp (red) Instrument box w 6
414	2030-150-54	Tool-Kit Micro (purple) Box w 6 instruments