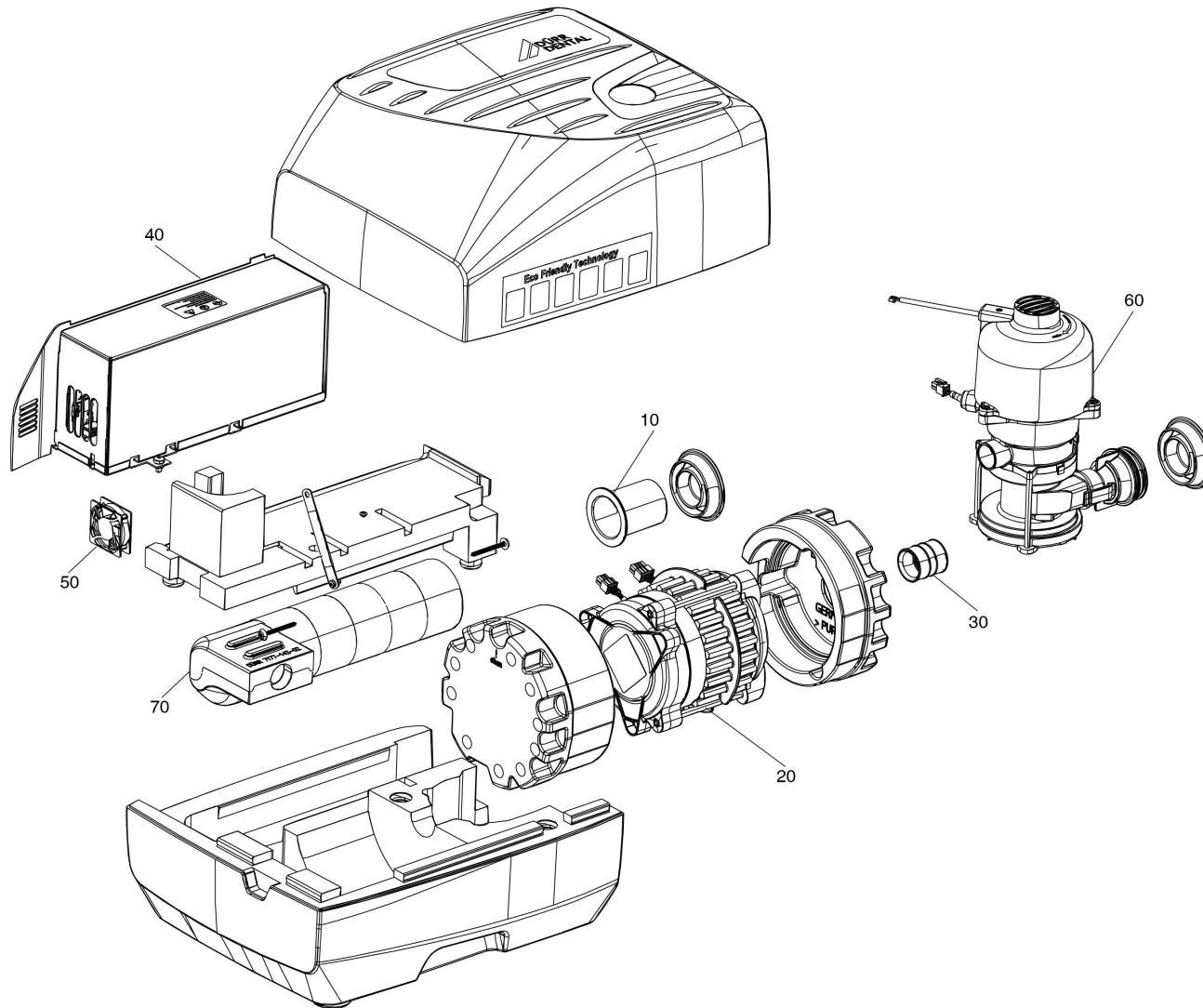




separating stage Tyscor VS 2

Tyscor VS 2 Central Combined Suction Unit with Radial-Technology



Tyscor VS 2 Central Combined Suction Unit with Radial-Technology

Item no.	Article no.	Description
20	7177-100-50E	Aspirated
40	7186982052T	electronics
30	7186-100-30E	grommet
10	7177-100-18E	Hose connector DN 50
70	7177100020	muffler kit
60	7186-100-50E	separating stage Tyscor VS 2
50	9000-146-39E	Ventilator 50 x 50 x 15 24 V DC