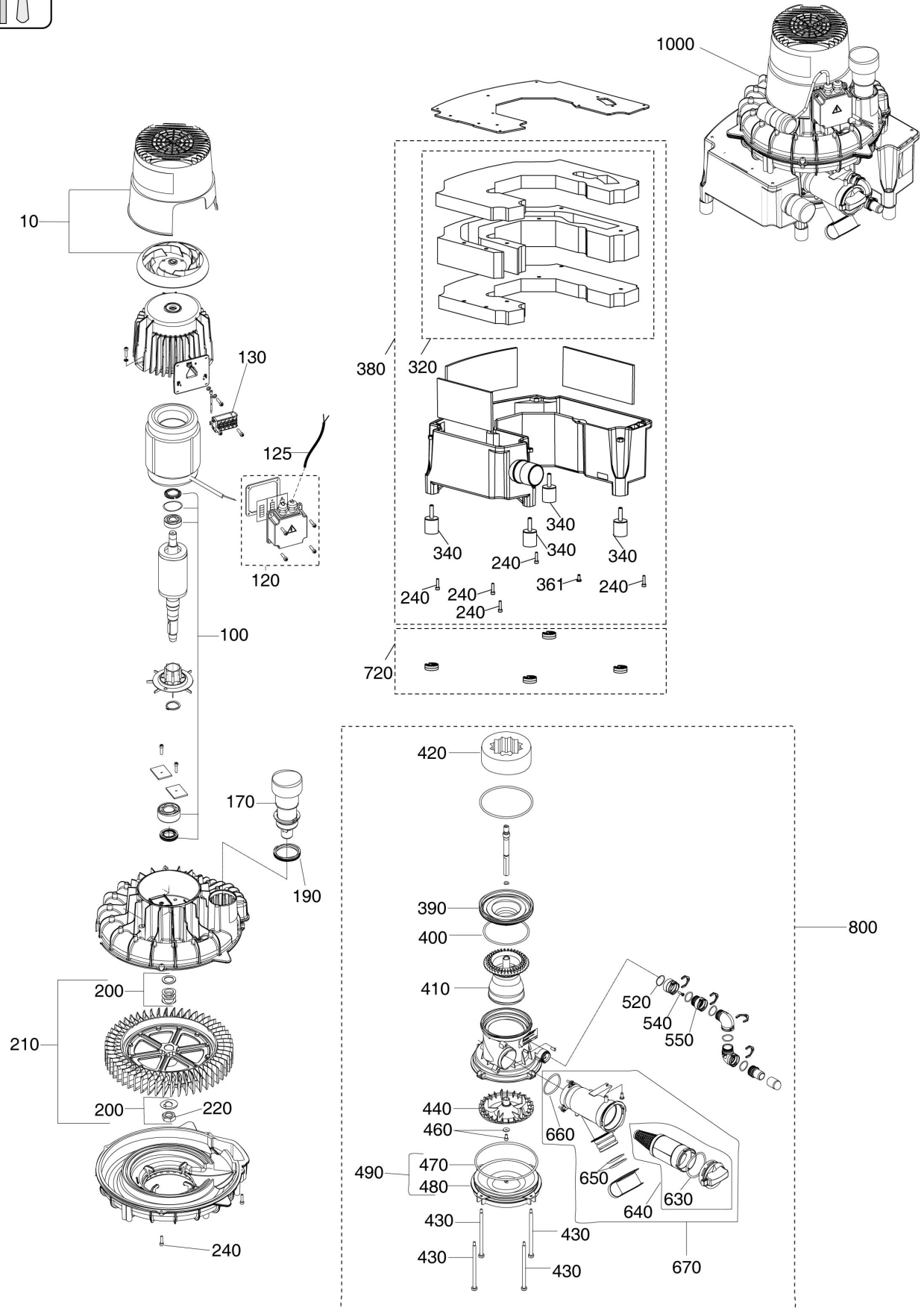


Item no.	Description	Order-No.
10	Fan kit V/VS 900 S+V/VS 1200 S	7136-982-54
100	Bearing set for rotor	7130-982-51
110	capacitor 27,5 µF	9000-104-90
120	Terminal box cover with accessories	7127-981-50
125	Connecting cable 3x1,5mm ² , 3m	7131-020-01E
130	Terminal Block 5 pole	9000-125-002
170	VS900/600 bypass relief valve	7130-060-00
190	Sealing ring	9000-320-50
200	Disks set	7130-982-52
210	Impeller	7136-983-54
220	Impellor Nut	0002-000-14
240	Cylinder screw M5	0004-503-08
320	foam set	7136-984-52
340	Rubber buffer 30 x 30, M8 x 20	9000-410-50
361	Oval head screw, M5x 12 DIN 7500	0004-504-12
380	Noise damper compl	7136-984-50
390	labyrinth	7133-100-02
400	O-ring	9000-402-36
410	Separator Rotor	7133-100-03
420	Foam ring	7131-100-25
430	Spacer screw M5x119	7133-100-012
440	Pump Impellor	7133-100-05
460	Screw	0004-350-01E
470	O-Ring 120x4	9000-402-109
480	Cover for VS900 separator housing	7133-100-06
490	Cover with O-ring	7130-983-53
520	O-ring 24 x 1.5	9000-402-23
540	PT Screw 40x14 half round	9000-459-14
550	DürrConnect20 Non return valve, Pack of 3	7128-100-03E
630	55mm O-ring	9000-402-38
640	Filter complete for VS900	7133-102-00
650	37mm O-Ring	9000-402-40
660	O-Ring	9000-402-37
670	Filter housing w filter, complete	7130-983-51

Item no.	Description	Order-No.
720	spacer	7127-100-30E
800	Separating casing complete	7130-983-50



Item no.	Description	Order-No.
10	Fan kit V/VS 900 S+V/VS 1200 S	7136-982-54
100	Bearing set for rotor	7130-982-51
120	Terminal box cover with accessories	7127-981-50
125	Connecting cable 3x1,5mm ² , 3m	7131-020-01E
130	Terminal Block 5 pole	9000-125-002
170	VS900/600 bypass relief valve	7130-060-00
190	Sealing ring	9000-320-50
200	Disks set	7130-982-52
210	Impeller	7136-983-54
220	Impellor Nut	0002-000-14
240	Cylinder screw M5	0004-503-08
320	foam set	7136-984-52
340	Rubber buffer 30 x 30, M8 x 20	9000-410-50
361	Oval head screw, M5x 12 DIN 7500	0004-504-12
380	Noise damper compl	7136-984-50
390	labyrinth	7133-100-02
400	O-ring	9000-402-36
410	Separator Rotor	7133-100-03
420	Foam ring	7131-100-25
430	Spacer screw M5x119	7133-100-012
440	Pump Impellor	7133-100-05
460	Screw	0004-350-01E
470	O-Ring 120x4	9000-402-109
480	Cover for VS900 separator housing	7133-100-06
490	Cover with O-ring	7130-983-53
520	O-ring 24 x 1.5	9000-402-23
540	PT Screw 40x14 half round	9000-459-14
550	DürrConnect20 Non return valve, Pack of 3	7128-100-03E
630	55mm O-ring	9000-402-38
640	Filter complete for VS900	7133-102-00
650	37mm O-Ring	9000-402-40
660	O-Ring	9000-402-37
670	Filter housing w filter, complete	7130-983-51
720	spacer	7127-100-30E

Item no.	Description	Order-No.
800	Separating casing complete	7130-983-50