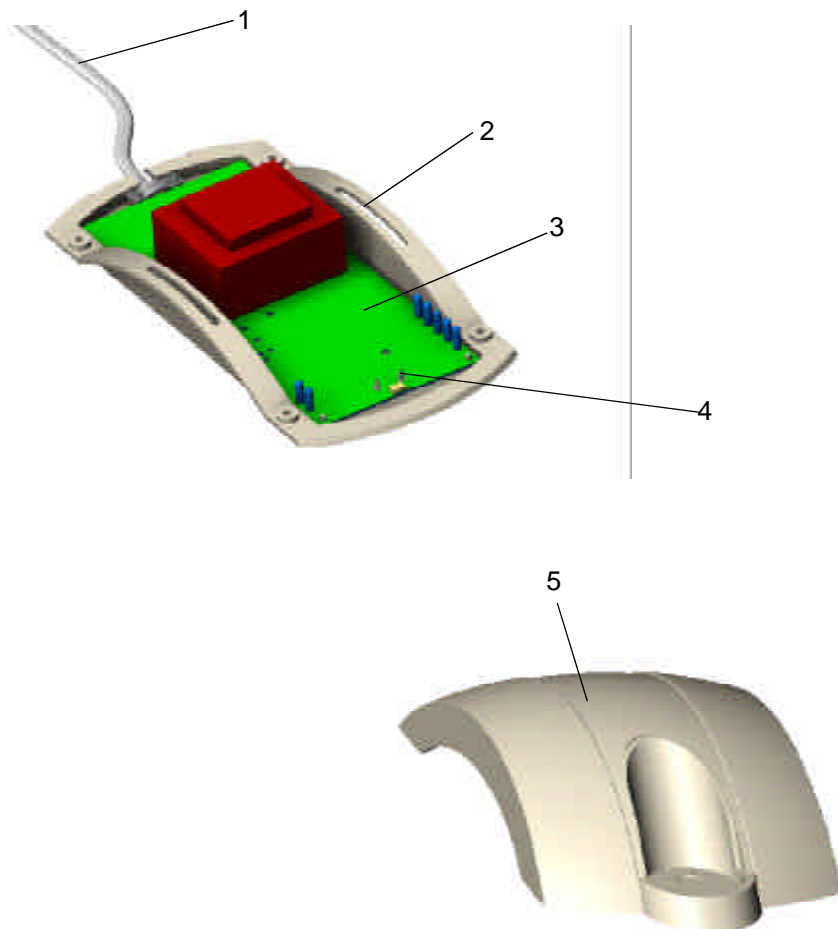


8.2 Exploded Views

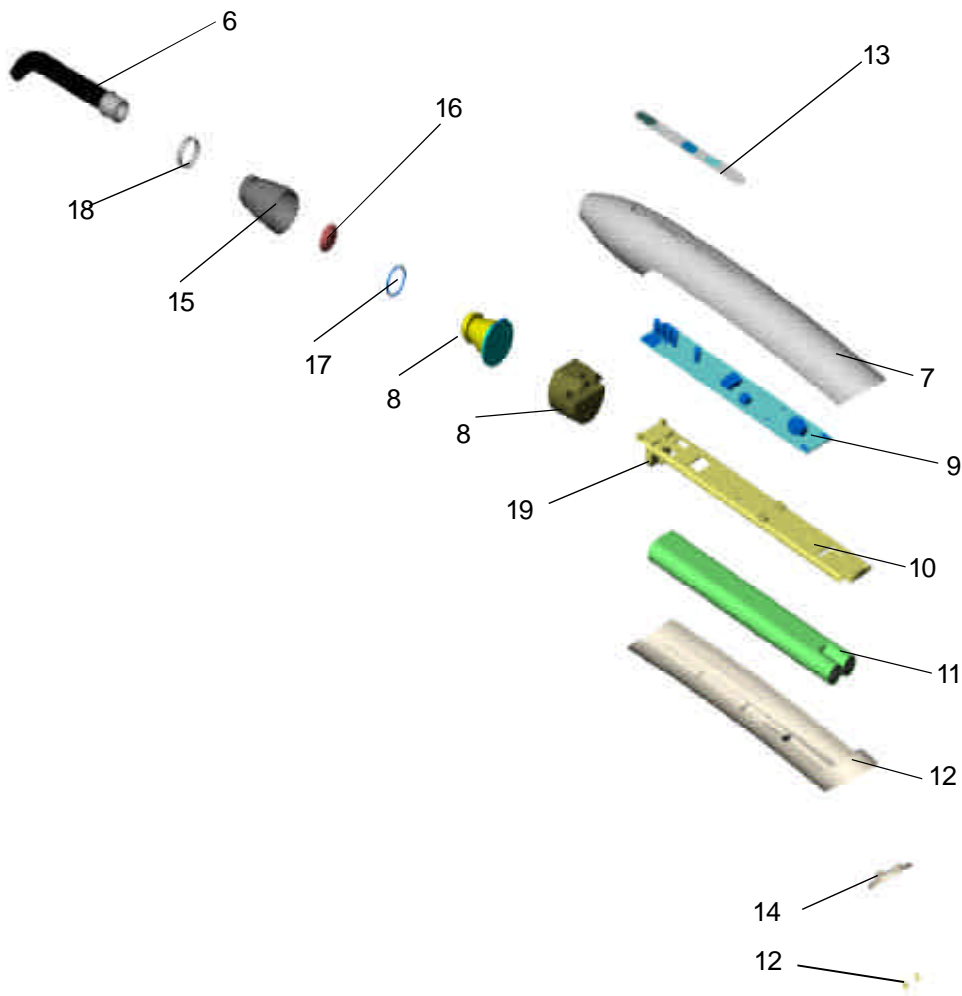
a) Charger

Setup of chargers for FreeLight and FreeLight 2 is the same.
Only color, labeling and electric specifications are different.



b) Handpiece

Setup of handpieces for FreeLight and FreeLight 2 is the same. Only color and electrical specifications are different.



8.3 Spare Part List FreeLight

Item	Product number	Description	Position	pcs./Package
11	76940	Elipar FreeLight Battery		1
6	76941	Elipar FreeLight Turbo Fibre Light Guide		1
6	76942	Elipar FreeLight Proxi Fibre Light Guide 1		
6	76943	Elipar FreeLight Maxi Fibre Light Guide		1
--	76945	Table holder FreeLight		1
--	76946	Anti glare filter FreeLight		1
18	78990240000	SPACER DISC LUMILED (10pcs)		10
--	78990240018	CHARGER 230V FREELIGHT EU		1
--	78990240026	CHARGER 100V FREELIGHT JP		1
--	78990240034	CHARGER 230V FREELIGHT GB		1
--	78990240042	CHARGER 230V FREELIGHT AU		1
--	78990240059	CHARGER 120V FREELIGHT US		1
18	78990240067	SPACER PUR LUMILED		10
9	78990240075	PCB SMD HT FREELIGHT LUMI INT		1
9	78990240083	PCB SMD HT FREELIGHT LUMI USA		1
15	78990240091	LIGHT GUIDE TAKE UP FREELIGHT		1
8	78990240109	LED MODULE FREELIGHT W. TOP CASE		1
16	78990240125	DUST PROTECTION GLASS FL (5pcs)		5
--	78990240133	CHARGER 230V FREELIGHT TH		1
--	78990240141	HANDPIECE FREELIGHT INT EXCHANGE		1
--	78990240158	HANDPIECE FREELIGHT US EXCHANGE		1
7	78990240174	HANDPIECE OT FREELIGHT 19 JP		1
--	78990240182	HANDPIECE COMPL FREELIGHT 19JP		1
--	78990241222	RUBBER FOOT(RD) 12,7x3,5 (10pcs)		10
--	78990242436	Magnet circular 5x25mm		1
1	78990242444	Power cable 2pin EU/25H WS/FL		1
1	78990242451	Power cable 2pin GB/25H WS/FL		1
1	78990242469	Power cable 2pin AUS/25H WS/FL		1
1	78990242477	Power cable 2pin USA/25H WS/FL		1
2	78990242485	Charger bottom case FreeLight		1
5	78990242493	Charger top case FreeLight		1
7	78990242501	Handpiece top case FreeLight complete		1
12	78990242519	Handpiece bottom case FL compl. (5pcs)		5
--	78990242527	Charger PCB complete FreeLight 230V		1
--	78990242535	Charger PCB complete FreeLight 100V		1

--	78990242543	Charger PCB complete FreeLight 120V	1
--	78990242550	Charge contact pin (10PCS)	10
--	78990242568	Membrane Keyboard ELI FL INT (5PCS)	5
--	78990242576	Membrane Keyboard ELI FL USA (5PCS)	5
--	78990242584	Reed switch SMD FreeLight	1
--	78990242592	Pressure spring 10,5 mm (10PCS)	10
--	78990242600	Battery holder Elipar FL (5PCS).....	5
--	78990242618	Battery lid ELI FL	1
-	78990242626	PCB complete SMD handpiece FreeL. INT	1
--	78990242634	PCB complete SMD handpiece FreeL. USA ..	1
--	78990242642	Fuse 5x20mm 0,8A (10PCS).....	10
--	78990242790	THERMALCONDUCT FOIL FL (5PCS)	5
19	78990244440	Battery contact spring (10PCS)	10
19	78990244457	Battery contact sheet (10PCS).....	10

8.4 Spare Part List FreeLight 2

Item	Product number	Description	Position	pcs./Package
11	76940	Elipar FreeLight Battery		1
6	76941	Elipar FreeLight Turbo Fibre Light Guide		1
6	76942	Elipar FreeLight Proxi Fibre Light Guide 1		
6	76943	Elipar FreeLight Maxi Fibre Light Guide		1
--	76945	Table holder FreeLight		1
--	76946	Anti glare filter FreeLight		1
18	78990240000	SPACER DISC LUMILED (10pcs)		10
--	78990244291	CHARGER 230V FREELIGHT 2 EU		1
--	78990244424	CHARGER 100V FREELIGHT 2 JP		1
--	78990244408	CHARGER 230V FREELIGHT 2 GB		1
--	78990244465	CHARGER 230V FREELIGHT 2 AU		1
--	78990244382	CHARGER 120V FREELIGHT 2 US		1
18	78990240067	SPACER PUR LUMILED		10
9	78990244317	PCB SMD HT FREELIGHT 2 US / INT		1
15	78990240091	LIGHT GUIDE TAKE UP FREELIGHT		1
8	78990244325	LED FREELIGHT 2 5W incl. COOLING D		1
17	78990244374	REFLECTOR FREELIGHT 2 COMPLETE		1
16	78990240125	DUST PROTECTION GLASS FL (5pcs)		5
--	78990244416	CHARGER 230V FREELIGHT TH		1
--	78990244309	HANDPIECE FREELIGHT 2 INT EXCHANGE		1
--	78990244390	HANDPIECE FREELIGHT 2 US EXCHANGE		1
7	78990244366	HANDPIECE TOP CASE FL LUMI COMPL		1
--	78990241222	RUBBER FOOT(RD) 12,7x3,5 (10pcs)		10
--	78990242436	Magnet circular 5x25mm		1
1	78990242444	Power cable 2pin EU/25H WS/FL		1
1	78990242451	Power cable 2pin GB/25H WS/FL		1
1	78990242469	Power cable 2pin AUS/25H WS/FL		1
1	78990242477	Power cable 2pin USA/25H WS/FL		1
2	78990244283	Charger bottom case FreeLight 2		1
5	78990244275	Charger top case FreeLight 2		1
12	78990244358	Handpiece bottom case FL compl. (5pcs)		5
3	78990244291	Charger PCB complete FreeLight 2 230V		1
3	78990244432	Charger PCB complete FreeLight 2 120V		1

--	78990244473	Charger PCB complete FreeLight 2 100V	1
--	78990242550	Charge contact pin (10PCS)	10
--	78990244333	Membrane Keyboard ELI FL2 INT (5PCS)	5
--	78990244481	Membrane Keyboard ELI FL2 USA (5PCS)	5
--	78990242584	Reed switch SMD FreeLight	1
--	78990242592	Pressure spring 10,5 mm (10PCS)	10
--	78990242600	Battery holder Elipar FL (5PCS).....	5
--	78990244341	Battery lid Elipar FreeLight 2	1
--	78990242642	Fuse 5x20mm 0,8A (10PCS)	10
19	78990244440	Battery contact spring (10PCS)	10
19	78990244457	Battery contact sheet (10PCS)	10