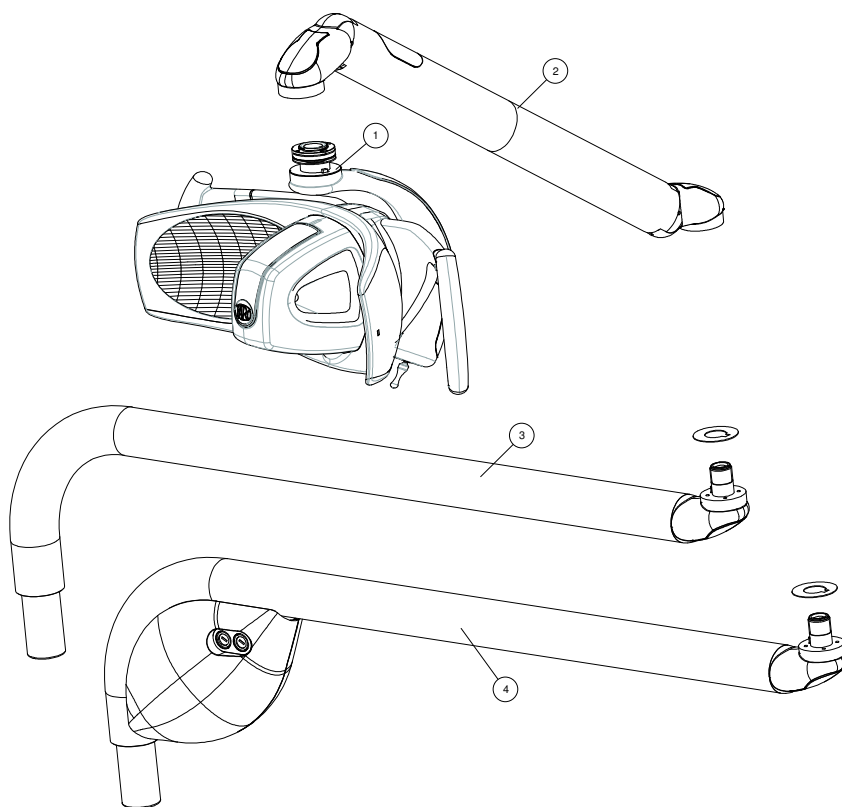
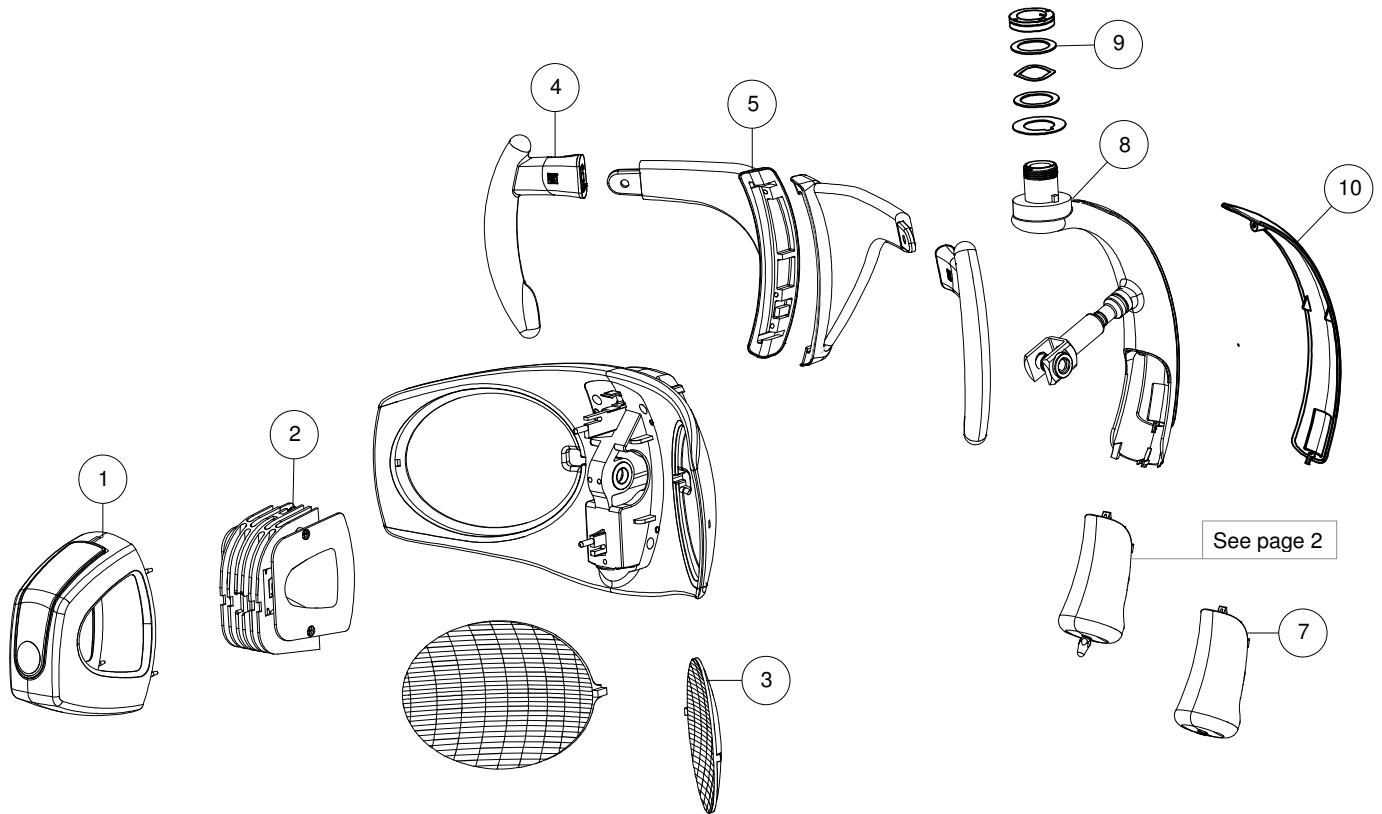


# ALYA III

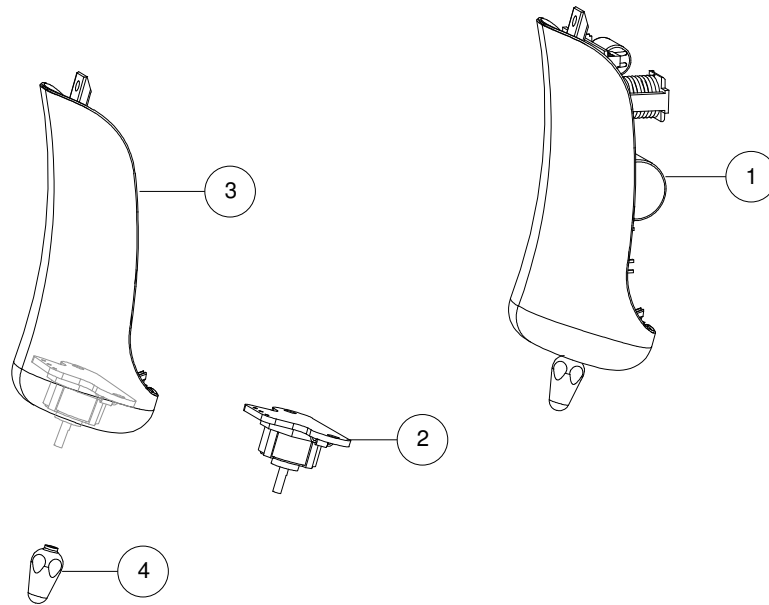
START FROM SN:13LD006458

Sheet	Page
Head	1
Switch	2
Central arm	3
Rear arm with transformer	4
Rear arm without transformer	5
Cables	6

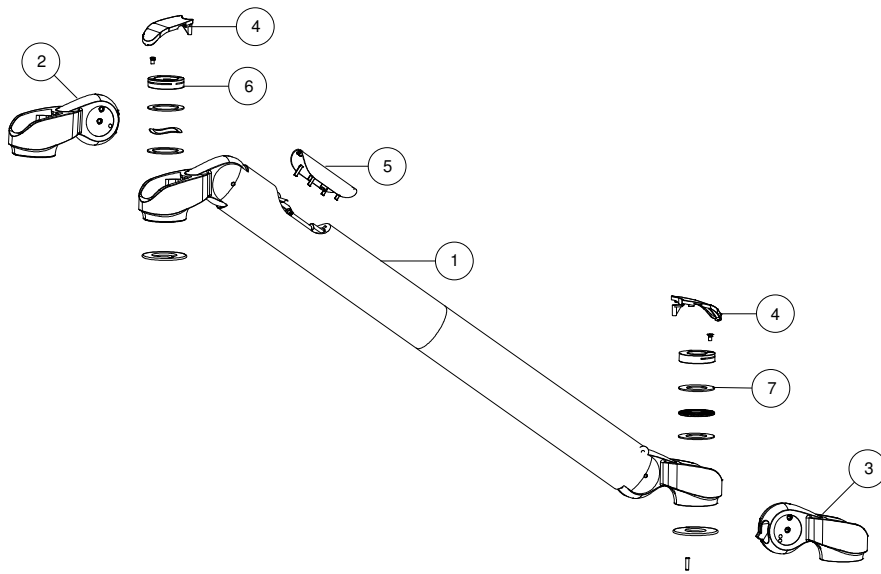




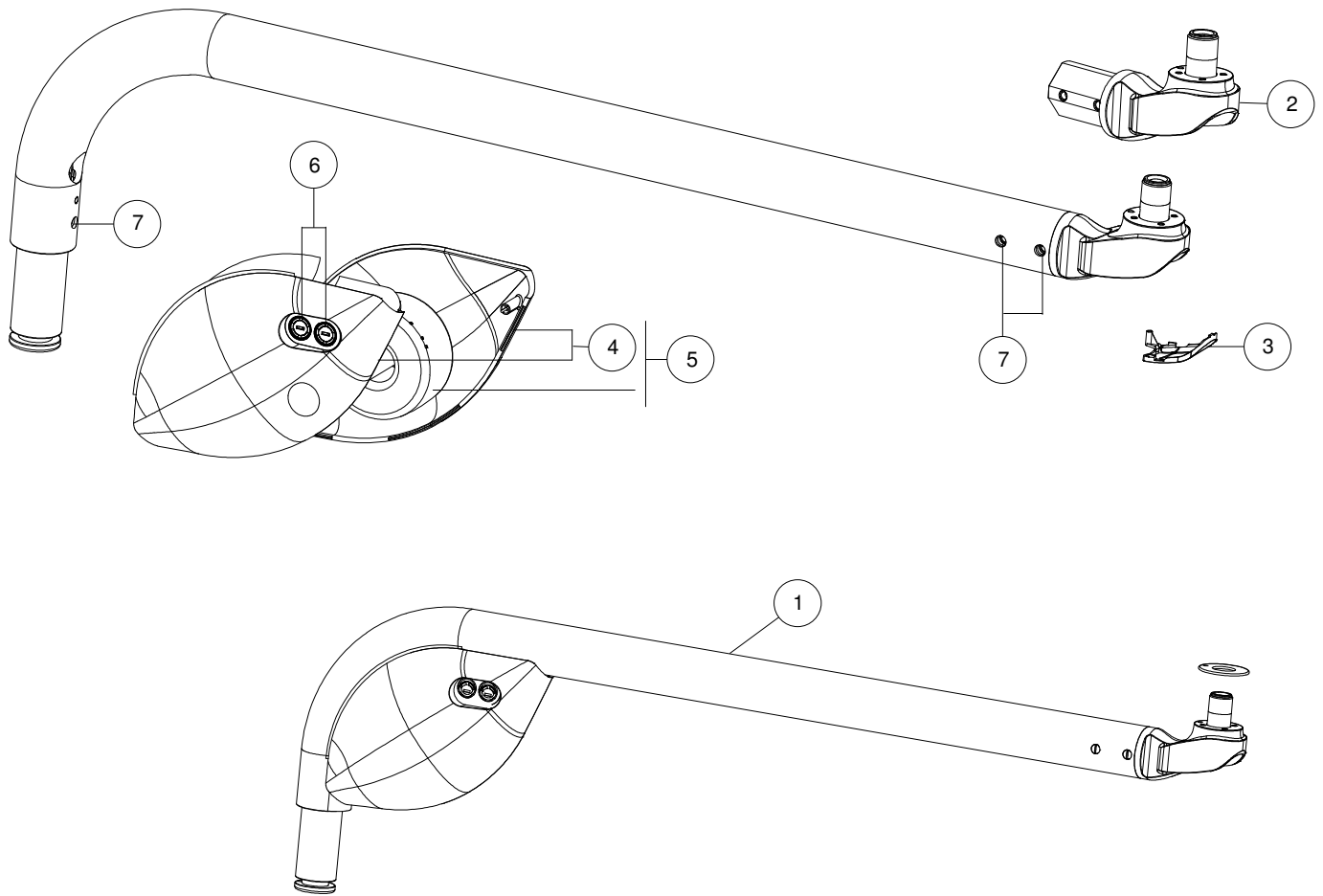
Pos	Codice	Description	Validity	n°pezzi
1	SP510062B	Optical cover with Faro logo		1
2	SP310305	Alya optical group	Up to SN: 15LD005043	1
2	SP310435	Alya optical group CxA version	From SN:15LD005044	1
3	SP310025006	Alya reflectors		1 couple
4	SP310370	Grey handles set ( right and left )		1
4	SP310370006	White handles set ( right and left )		1
5	SP310352	Grey handle holders set (right and left )		1
5	SP310352006	White handle holders set (right and left )		1
7	SP310360	Proximity switch with gray cover	Up to SN: 15LD005043	1
7	SP310485	Proximity switch with gray cover	From SN:15LD005044	1
7	SP310360006	Proximity switch with white cover	Up to SN: 15LD005043	1
7	Sp310485006	Proximity switch with white cover	From SN:15LD005044	1
8	SP310027006	Complete junction joke ( white )		1
9	SP310045	Ring nuts set ( head )		1 set
10	SP310029	Grey head joke cover		1
10	SP310029006	White head joke cover		1



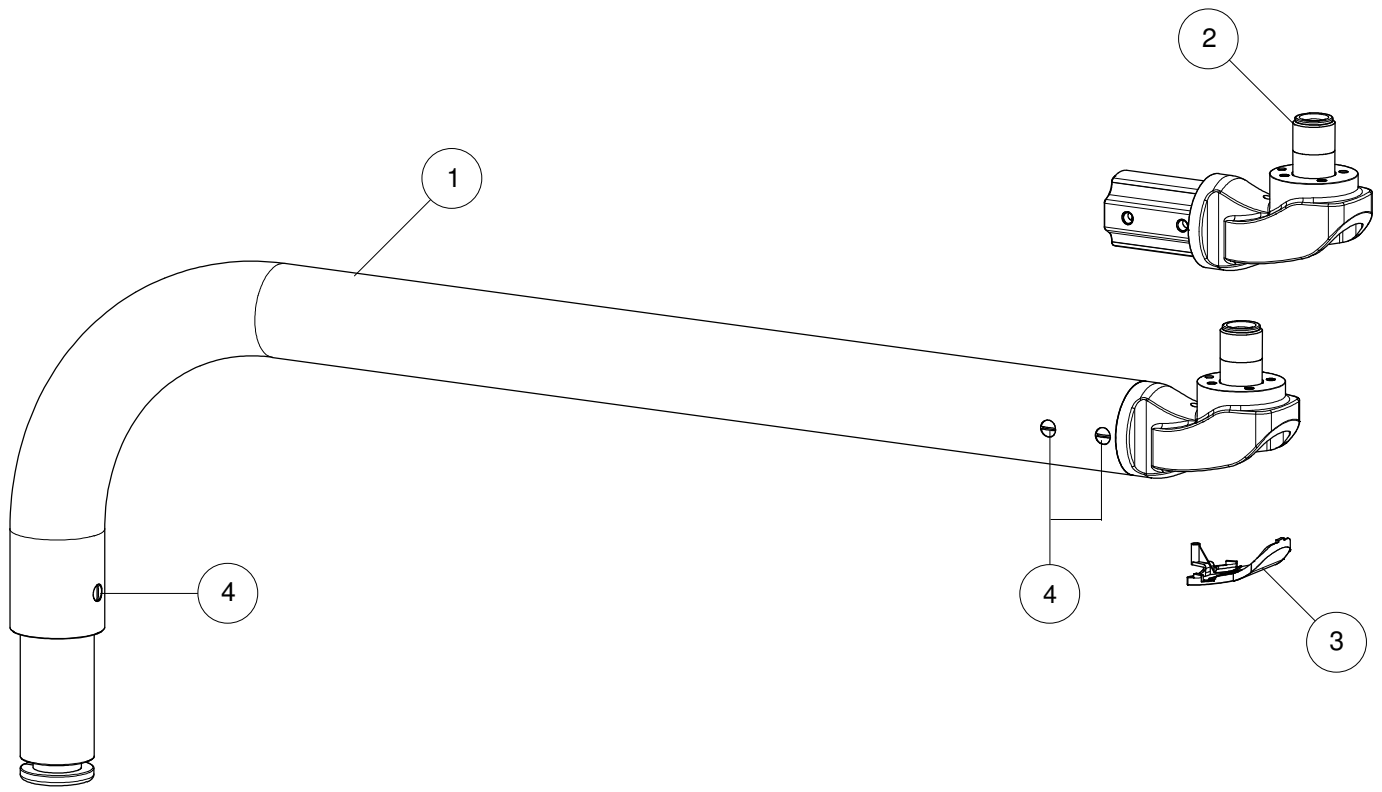
Pos	Codice	Description	Validity	n°pezzi
1	SP310355	Switch group with gray cover	Up to SN: 15LD005043	1
1	SP310480	Switch group with gray cover	From SN:15LD005044	1
1	SP310355006	Switch group with white cover	Up to SN: 15LD005043	1
1	SP310480006	Switch group with white cover	From SN:15LD005044	1
2	SP310102	Joystick Alya		1
3	SP310123	Joystick with gray cover		1
3	SP310123006	Joystick with white cover		1
4	SP310108	Lever for joystick switch		1



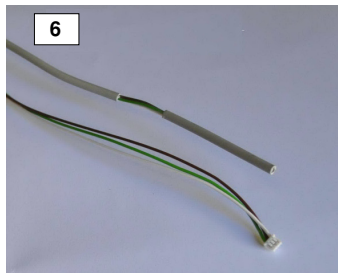
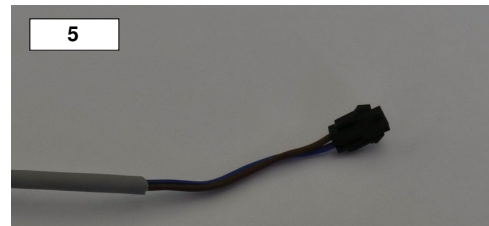
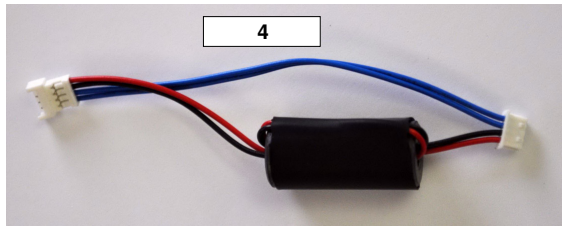
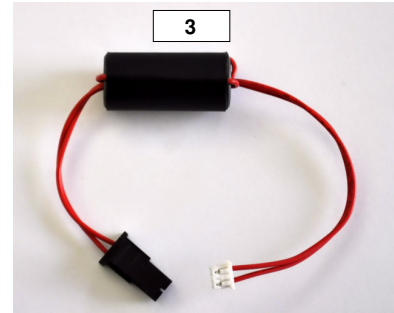
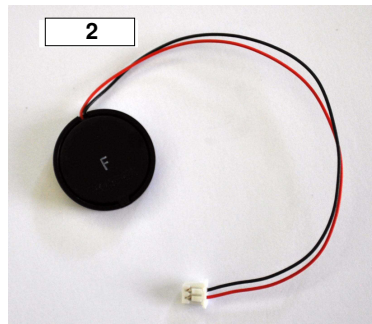
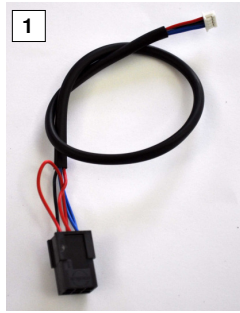
Pos	Codice	Description	Validity	n°pezzi
1	SP510004	Central arm S L=550		1
1	SP510009	Central arm S L=855		1
1	SP510003	Central arm TS L=550		1
1	SP510007	Central arm TS L=855		1
2	SP310171	Joint for head		1
3	SP310172	Joint for arm		1
4	SP310194	Complete cover set for arm		1 set
5	SP310050006	Central arm caps set		1
6	SP310045	Ring nuts set ( head )		1 set
7	SP310044	Ring nuts set ( rear arm )		1 set



Pos	Codice	Description	Validity	n°pezzi
1	SP510016	Rear arm S L=810 with transformer included		1
1	SP510017	Rear arm S L=960 with transformer included		1
1	SP510031	Rear arm S L=810 ceiling version with transformer included		1
1	SP510032	Rear arm S L=960 ceiling version with transformer included		1
2	SP310198	Joint for rear arm		1
3	SP310194	Complete cover set for arm		1 set
4	SP306155	Transformer covers ( right and left )		1
5	SP310405	230V transformer		1
6	SP310406	230V fuses set		4
7	SP300055	Screw set for rear arm		8



Pos	Codice	Description	Validity	n°pezzi
1	SP510064	Rear arm TS L=600		1
1	SP510013	Rear arm TS L=810		1
1	SP510014	Rear arm TS L=960		1
1	SP510028	Rear arm TS L=810 ceiling version		1
1	SP510029	Rear arm TS L=960 ceiling version		1
2	SP310198	Joint for rear arm		1
3	SP310194	Complete cover set for arm		1 set
4	SP300055	Screw set for rear arm		8



Pos	Codice	Description	Validity	n°pezzi
1	SP310095	Cable from lamp set to pcb		1
2	SP310104	Buzzer		1
3	SP310138	Cable from pcb to power cable		1
4	SP310139	Cable from pcb to lamp set		1
5	SP310413	Power cable for lamp with transformer version		1
5	SP311075	Power cable for lamp without transformer ceiling version		1
5	SP310075	Power cable for lamp without transformer unit version		1
6	SP310146	Remote control cable		1