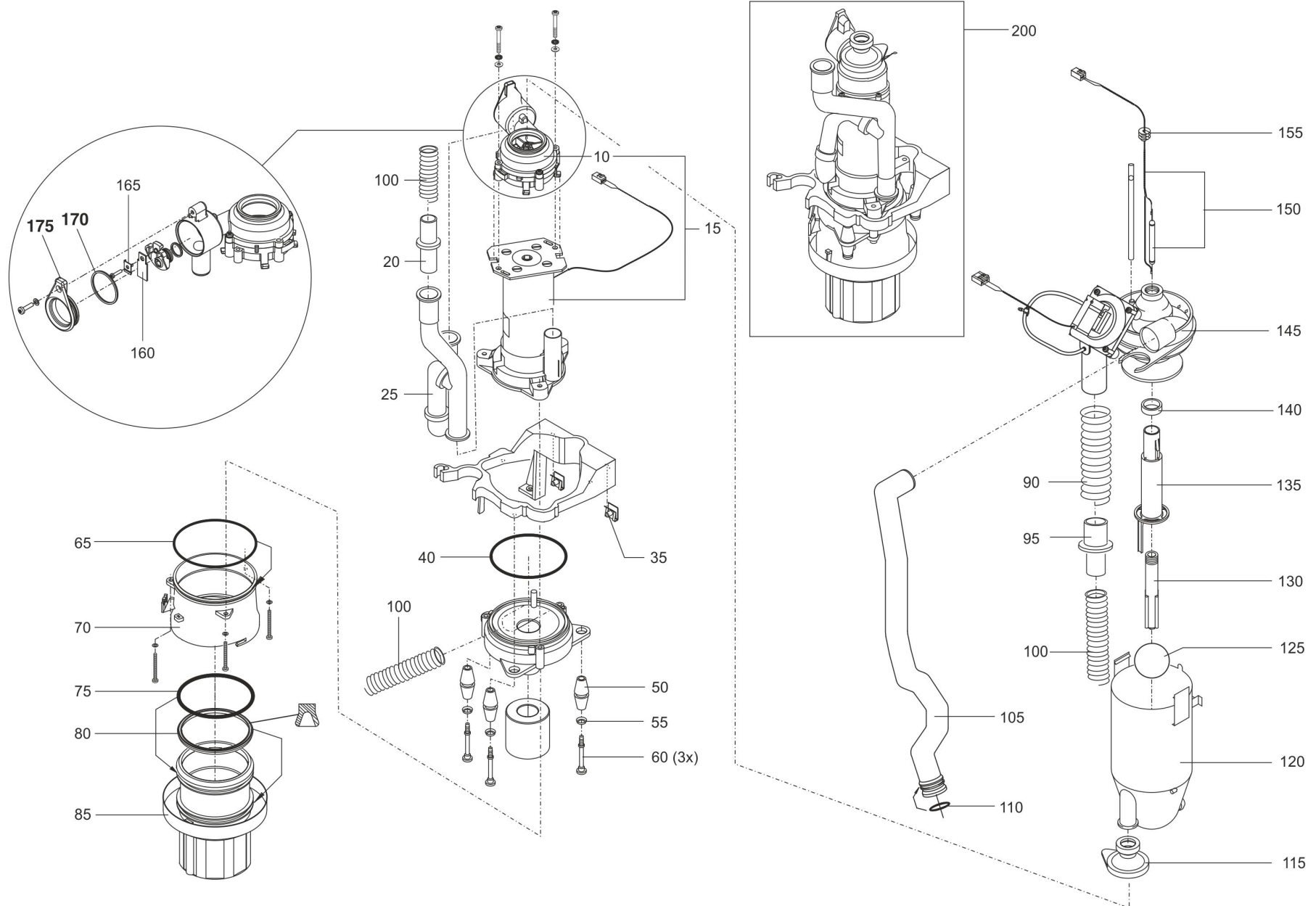


### 1.1.3.7.7 (G7) Automatic separator

CD/DVD ID: Sirona\_3.0



**1.1.3.7.7 (G7) Automatic separator**

CD/DVD ID: Sirona\_3.0

| <b>Pos.</b> | <b>Part number</b> | <b>Designation</b>                  |
|-------------|--------------------|-------------------------------------|
| 10          | 5873760            | CLIP-ON PUMP                        |
| 15          | 5434928            | LYE PUMP C8 REPLACEMENT             |
| 20          | 3317471            | INTERMEDIATE PIECE 1                |
| 25          | 1438261            | SIPHON                              |
| 35          | 4183120            | PLATE NUT                           |
| 40          | 7047749            | O-RING 72,69 X 2,62 -N-75           |
| 50          | 2956951            | ISOLATOR-VIBRATION                  |
| 55          | 2957579            | WASHER                              |
| 60          | 5942375            | SET BEARING BOLT                    |
| 65          | 7050230            | O-RING 88,62 X 1,78 -N-75           |
| 70          | 2958510            | ADAPTOR                             |
| 75          | 7028327            | O-RING 74,0 X 4,0 -S-58             |
| 80          | 2959005            | SEAL RING                           |
| 85          | 3317935            | CANISTER-AMALGAM                    |
| 90          | 1872410            | PROTECTIVE TUBE DIAM. 25            |
| 95          | 3318164            | HOSE COUPLING                       |
| 100         | 6484229            | Tubing NW18 (water) - 2,1 mts spare |
| 105         | 1443063            | CONNECTING HOSE                     |
| 110         | 7052251            | O-RING 24,0 X 2,5 -N-70             |
| 115         | 2959443            | LEATHER RING                        |
| 120         | 1431043            | AUTOMATIC SEPARATOR, LOWER PART     |
| 125         | 5881313            | CONCAVE BALL                        |
| 130         | 5881305            | TAPPET SCREW                        |
| 135         | 2985042            | RAM TUBE                            |
| 140         | 5881321            | MAGNET                              |
| 145         | 1431035            | UPPER PART, COMPLETE                |
| 150         | 1435622            | REED CONTACT, COMPLETE              |
| 155         | 5916309            | SLEEVE                              |
| 160         | 1434245            | SEAL                                |
| 165         | 1434278            | PLATE-PRESSURE                      |

