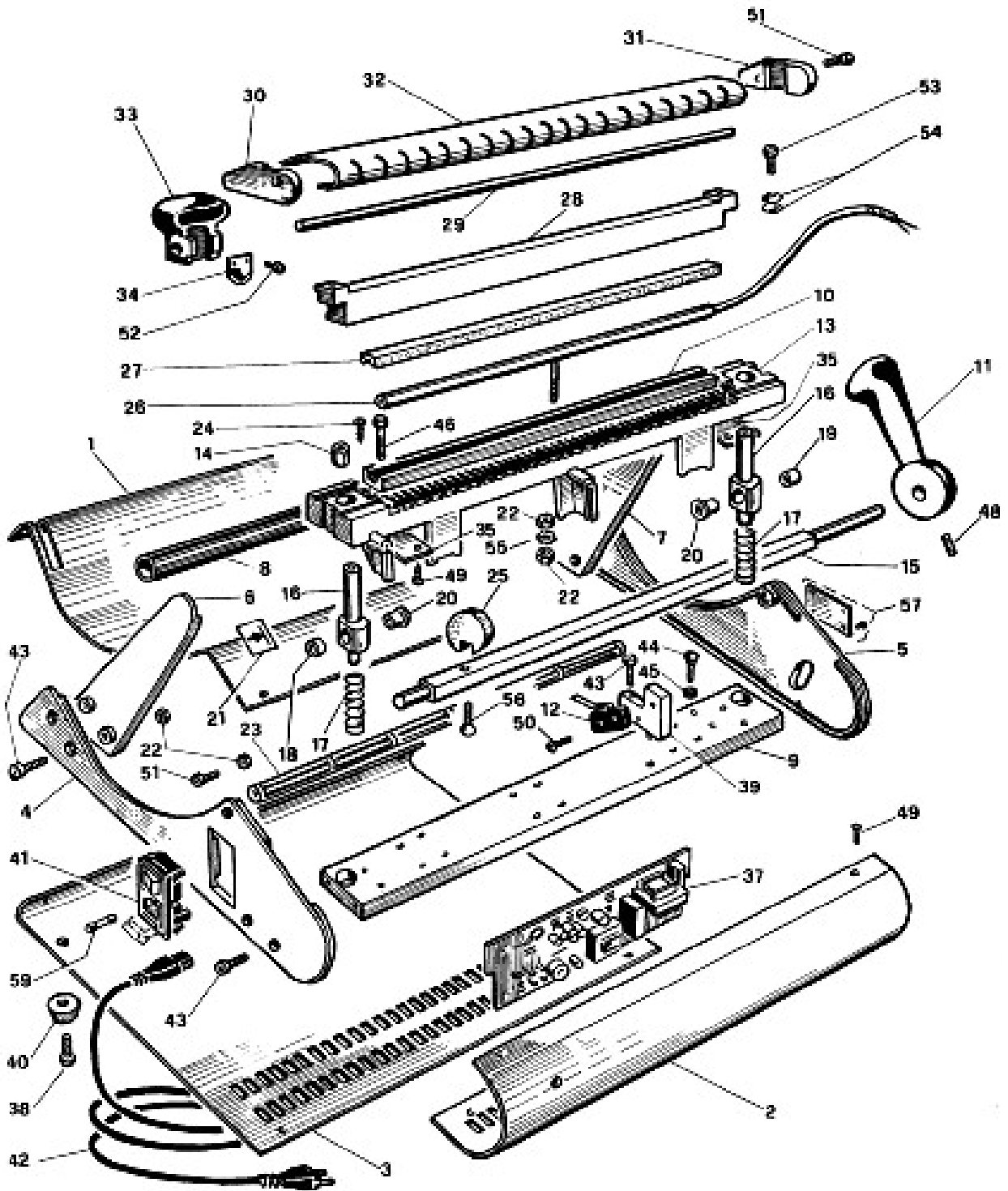


EXPLODED VIEW



SPARE PARTS LIST

NUMBER	QUANTITY	DESCRIPTION	CODE
1	1	Higher carter (plate varnished)	930115
2	1	Anterior carter (plate varnished)	930118
3	1	Basic plate varnished	930116
4	1	Leftside	931111
5	1	Rightside	931110
6	1	Left support roll	931113
7	1	Right support roll	931112
8	1	Black PVC support roll 15-22x390	930114
9	1	Flat guide spring 60x15x403 zinc-coated	931119
10	1	Heating insulating	931117
11	1	Lever deck hand with handle	931123
12	1	Lever main switch matsushita AH71525	851003
13	1	Heating support	930147
14	2	Bushes fl	936015
15	1	Bar support cam 10x10x448	930122
16	2	Hub guide 20x83 zincato	930120
17	2	Spring diam. 15x58x1,2	962153
18	1	Nylon bushes d.15x6	930131
19	1	Nylon bushes d. 15x15,5	930132
20	2	Bushes autol.mb.15 20	936017
21	2	Adhesive label end cut	948157
22	8	Nut M4	946041
23	1	Bar side	930145
24	1	Screw TCCR 3.9x13	994197
25	2	Nylon cam D30	930124
26	1	Heating cartridge 12x336.5 100W	930201
27	1	Silicon rubber profile 14x8 I.323	953212
28	1	Plate knife guide.30x20x401	930126
29	1	Inox bar knife guide d.10x399	930127
30	1	Left side higher carter	931130
31	1	Right side higher carter	931129
32	1	Protection carter for knife	930125
33	1	Nylon handle knife	930128
34	1	Knife ric. X1052A sictool	962201
35	2	Eccentric plate inox 50x30	931139
37	1	Electronic board	856059
38	4	Screw TCCR M4x10	993193
39	1	Microswitch support	930141
40	4	Black rubber feet diam. 21	972138
41	1	Polysnap module BZ 15012	850037
42	1	Power cable 3X0,75 2MT	850039
45	2	Hexagonal nut 5M	946042
48	1	Bead P.P M6x12	951070
54	6	Cup spring 12x5x0,6	962121
55	1	Outside washer diam 4.3	978151
56	2	Screw TSPCE M5 x 20	990200
57	2	Rivet 2,9 x10	975155
59	4	Fuse 5x20 T4	956117